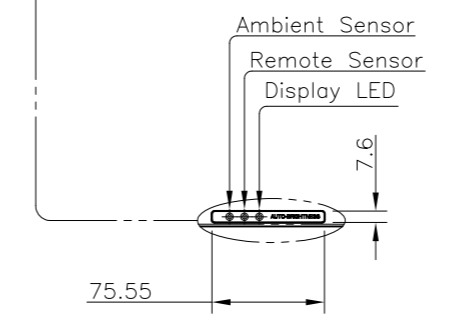
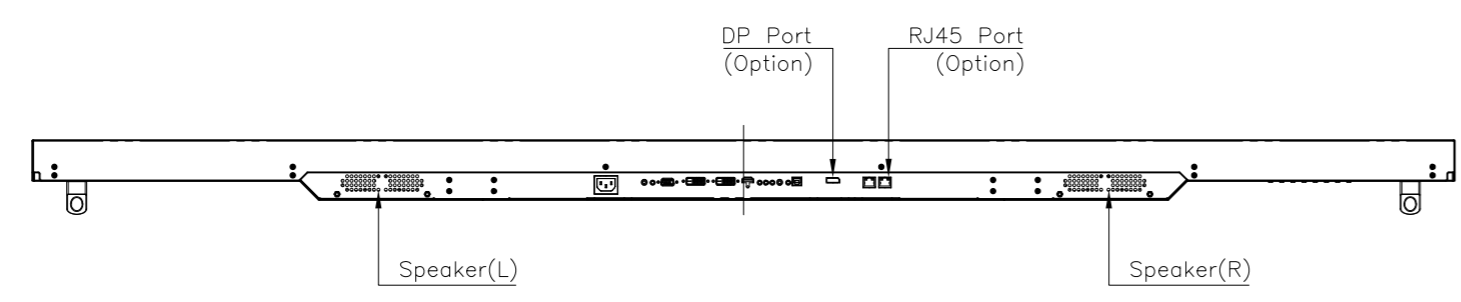
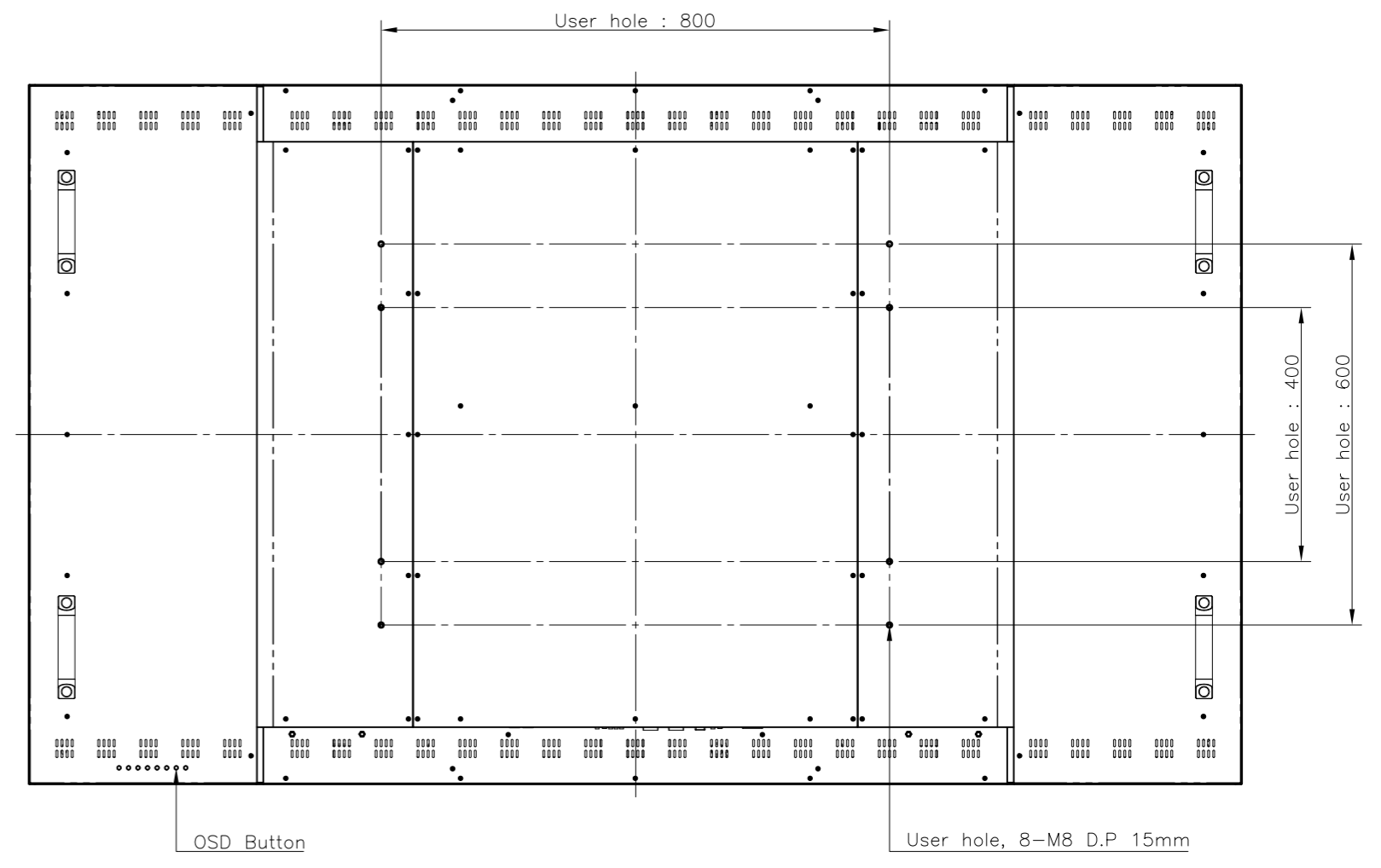
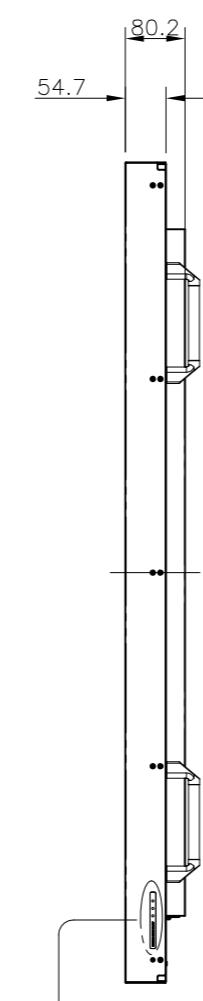
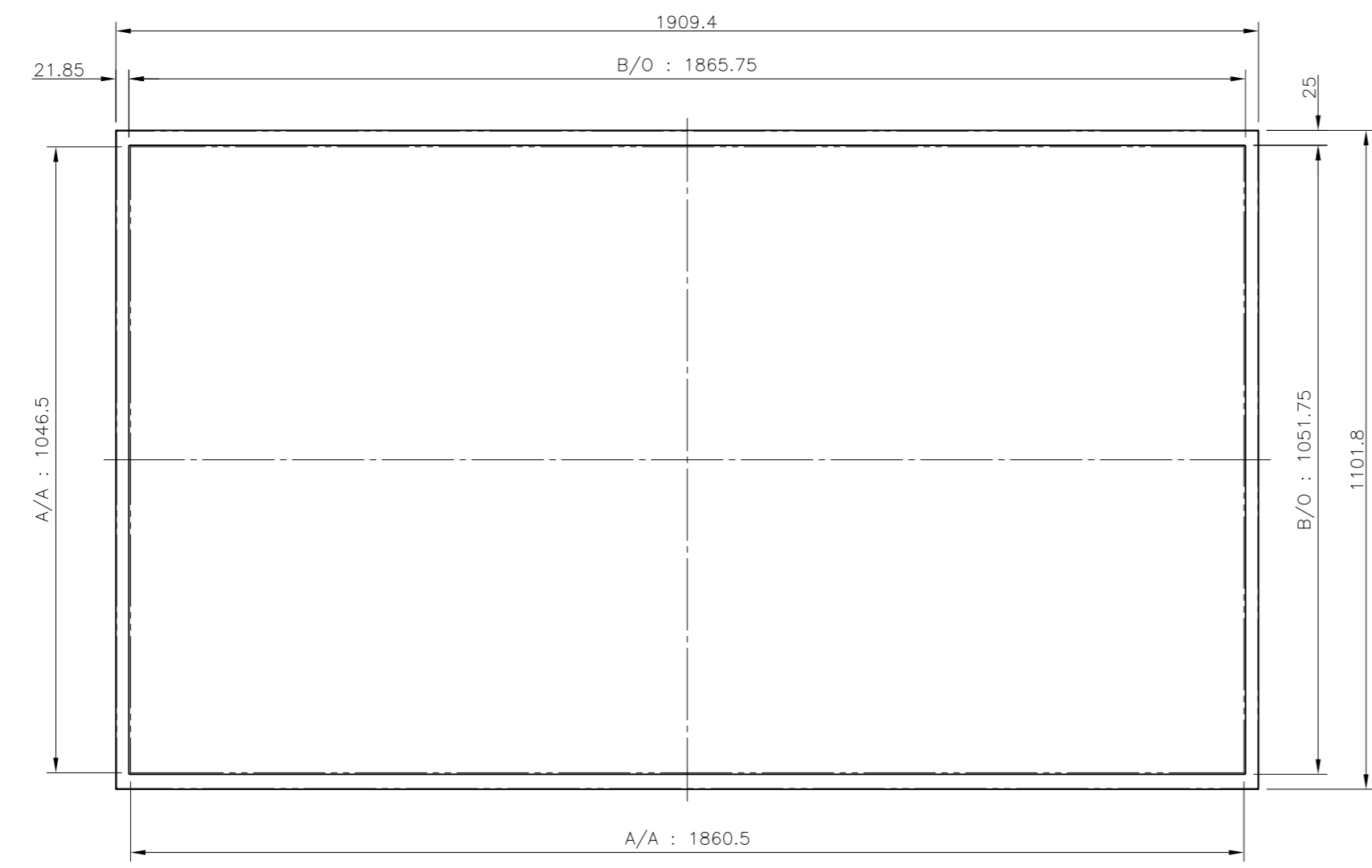
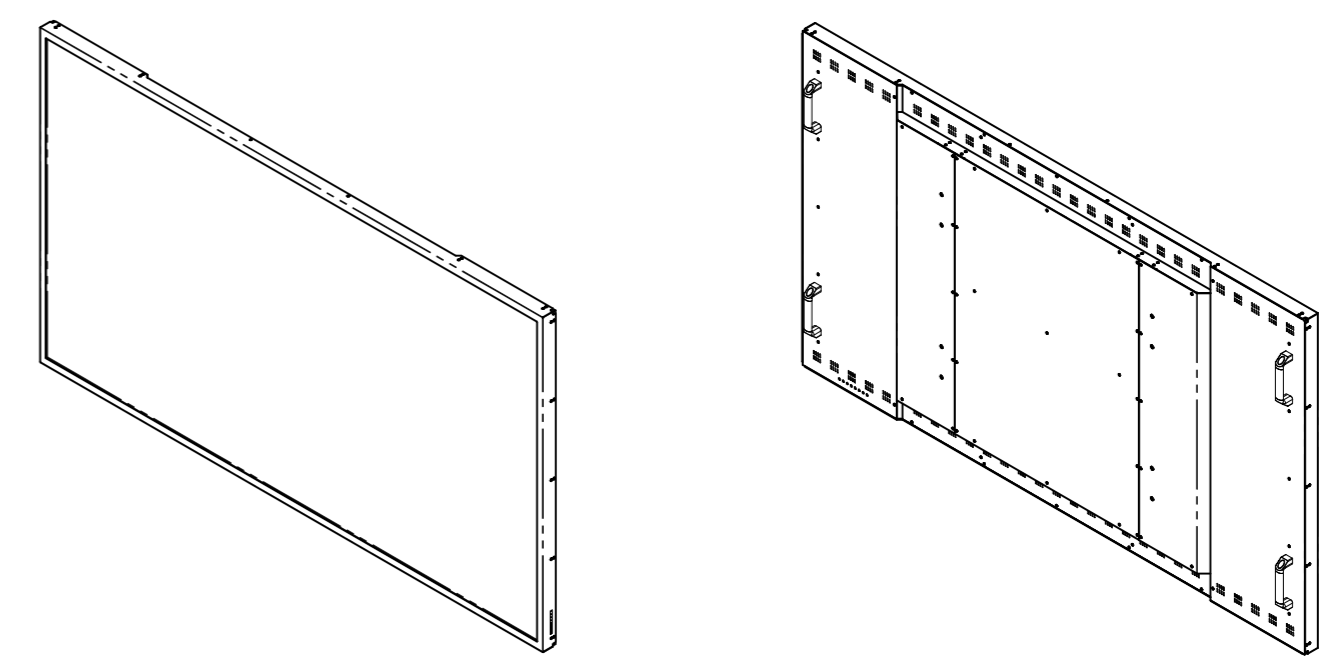
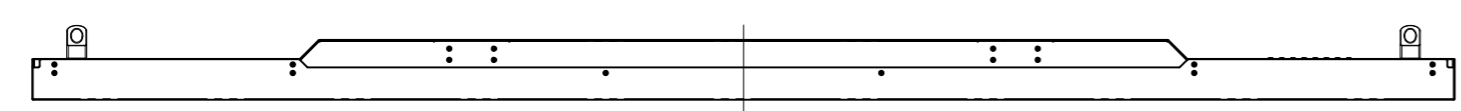


REV. NO		REV. HISTORY	LTR	ECO NO	DATE	APPR'L
DWG	PART					
00	00	INITIAL RELEASE	-	-	-	-



- NOTES**
1. LCD Panel : 84" LED Back Light Panel
 2. Weight : T.B.D kg
 3. Material : E.G.I
 4. Color : Black

DRAWN	PLANNED	CHECKED	APPROVED	UNLESS OTHERWISE SPECIFIED ALL DIMENSION ARE IN MILLIMETERS TOLERANCES ARE: LINEAR: X ± 0.20 X ± 0.1 XX ± 0.01 ANGLES: ± 0.1° RADI UNLESS NOTED: R 0.3	ANGLE 3rd.	TITLE : D84AMBG EXTERIOR VIEW	UNIT: mm
S.W.SEO	S.H.JANG	S.H.JANG	Y.T.KIM		SCALE: 1/10		TYPE: ASSY
14.06.10	14.06.10	14.06.10	14.06.10	MODEL NAME (CODE): D84AMBG	CUSTOMER: HDIT	DWG REV: 00	SIZE: A2
				FILE NAME: LAYOUT_D84AMB_140610.DWG	DWG NO: 1/1	DWG(PART) NO. D84AMBG_001	

This drawing is the property of HDIBT Corp. and should not be disclosed to any third party without prior permission of HDIBT Corp.